

Horizontal Fiber Optic Splice Closure

CH002S

Description:

CH002S is a small size fiber optic splice closure that used for outdoor cable connection splice and protection. It's made of high quality ABS plastic. It support re-open using with utilizing sealing rubber gasket and it is suitable for aerial hanged, wall mounted application.



Main Parameters:

Operate temperature: $-5^{\circ}\text{C}+40^{\circ}\text{C}$

Relative humidity: $\leq 90\%$ ($+30^{\circ}\text{C}$)

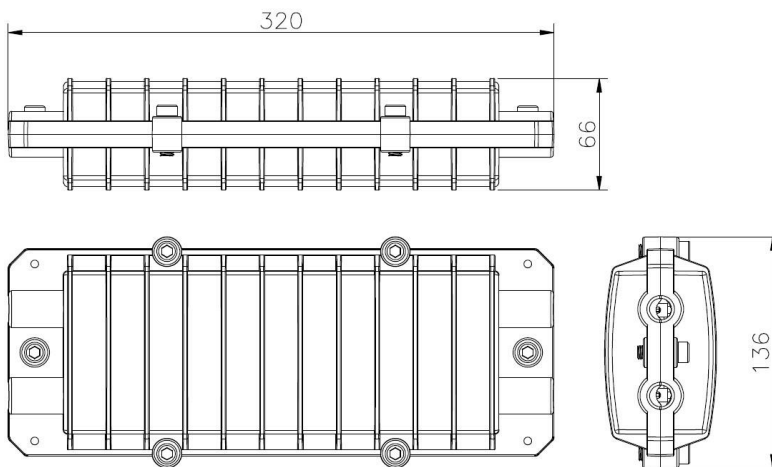
Atmospheric pressure: 70Kpa-106Kpa

Storage Temperature: $-40^{\circ}\text{C}+70^{\circ}\text{C}$

IP protection: IP55

Product dimension:

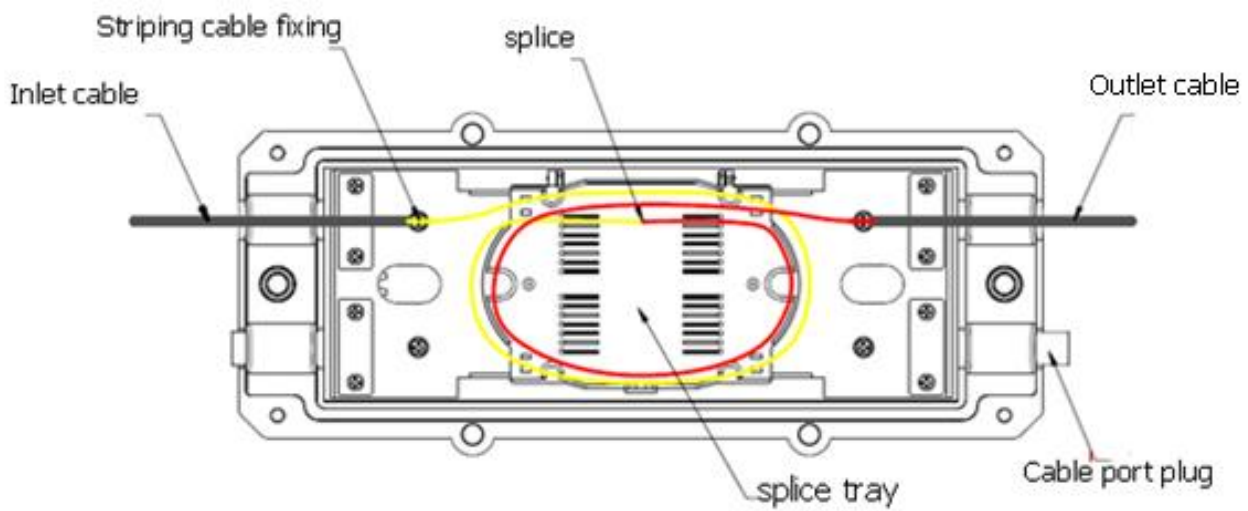
Dimension: 320mm×136mm×66mm



Specification:

Dimension (mm)	320x136x66
Weight (Kg)	1.0
Cable diameter(mm)	Φ7-Φ12.6
Cable entry ports	2in 2out
Max. Capacity of fiber splice tray	3pcs
Max. Capacity	36 fibers

Fiber arranging drawings:



Aerial application drawing.:

