
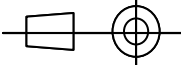
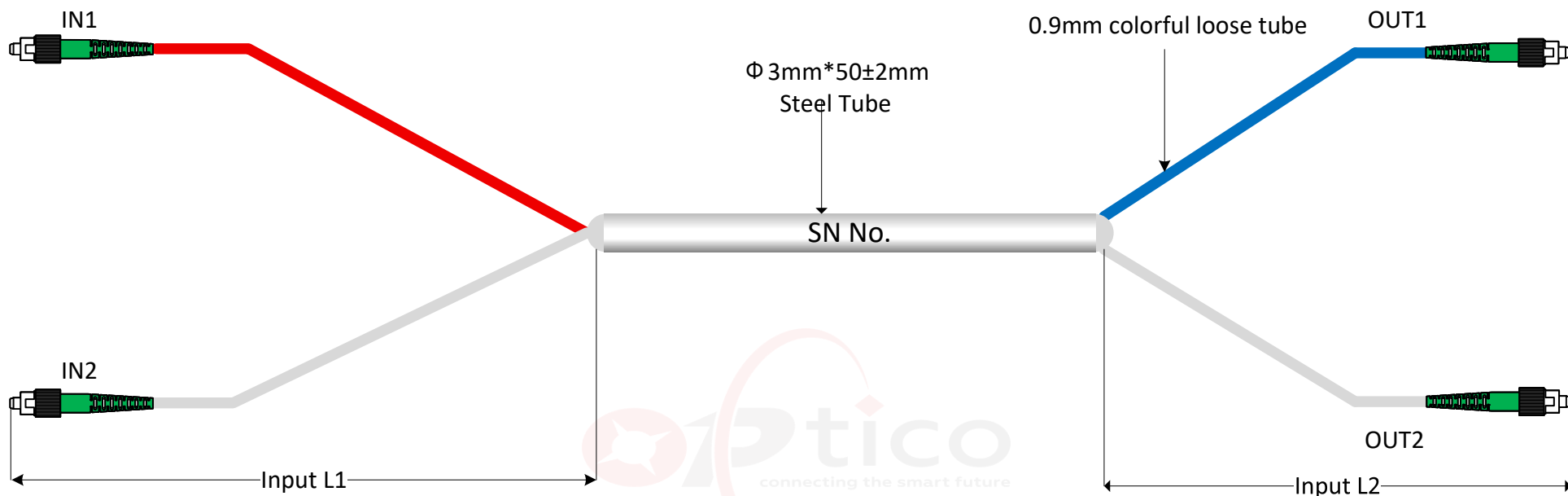


Parameter		PM 480 2X2 FBT Coupler			
Ratio		50:50	25:75	90:10	99:1
Operating Wavelength		480±15nm			
Insertion loss(dB)	Max	4.1 /4.1	2.2/7.2	1.3/11.5	0.9/24.8
Extinction Ratio(dB)	Min	18.0/18.0	18.0/18.0	18.0/18.0	16.0/16.0
Return loss(dB)	Min	60			
Excess Loss(dB)	Max	0.7			
Work Temperature		-40~+85°C			
Storage Temperature					
Max Power		50mW(With connectors or bare fiber); 100mW when spliced			
Dimension		Φ 3mm*50/54/60mm			
Connector		2.0 Narrow Key FCAPC/As request			
Fiber Type		Coherent PM-S405-XP			
Mode Field Diameter		3.3±0.5um@405nm 3.4±0.5um@480nm 4.6±0.5um@630um			
Numerical Aperture		0.12			

Note: Values above are specified with a slow axis launch at room temperature and measured without connectors at the center wavelength. PER including connectors.



		SHENZHEN OPTICO COMMUNICATION CO., LTD.							
Model	PM480nm 2x2 FBT Coupler 0.9mm FCAPC					OP-PM480-202FBT-0.9-xxx			
FIRST ANGLE PROJECTION 	MATERIAL	UNIT	SCALE	SIZE	SHEET	DRAWN	XUELING W	DATE	2025.06.03
	LSZH	m	/	A4	1	CHECKED	Michael Liu	DATE	2025.06.03
						APPROVED	STEVEN Zhang	DATE	2025.06.03

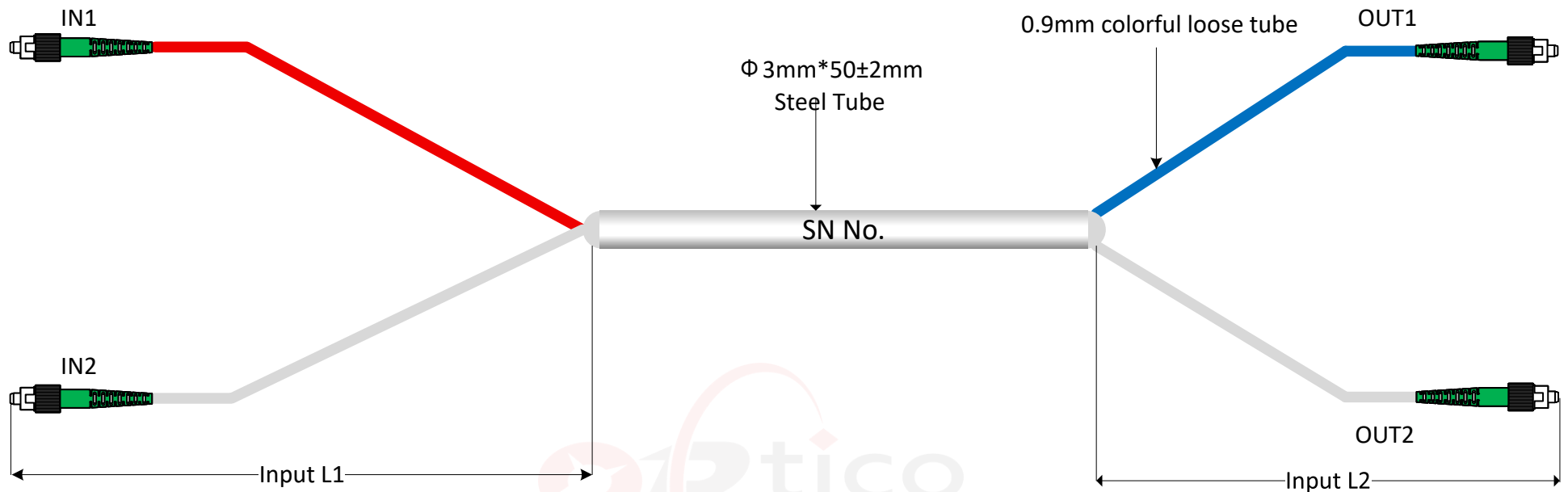


Parameter		PM 530 2X2 FBT Coupler			
Ratio		50:50	25:75	90:10	99:1
Operating Wavelength		530±15nm			
Insertion loss(dB)	Max	4.1 /4.1	2.2/7.2	1.3/11.5	0.9/24.8
Extinction Ratio(dB)	Min	18.0/18.0	18.0/18.0	18.0/18.0	16.0/16.0
Return loss(dB)	Min	60			
Excess loss(dB)	Max	0.7			
Work Temperature		-40~+85°C			
Storage Temperature					
Max Power		50mW(With connectors or bare fiber); 100mW when spliced			
Dimension		Φ 3mm*50/54/60mm			
Connector		2.0 Narrow Key FCAPC/As request			
Fiber Type		Coherent PM460-HP			
Mode Field Diameter		3.3±0.5um@515nm 3.6±0.5um@530nm			
Numerical Aperture		0.12			

Note: Values above are specified with a slow axis launch at room temperature and measured without connectors at the center wavelength. PER including connectors.




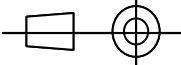
		SHENZHEN OPTICO COMMUNICATION CO., LTD.							
Model	PM530nm 2X2 FBT Coupler 0.9mm FCAPC					OP-PM530-202FBT-0.9-xxx			
FIRST ANGLE PROJECTION 	MATERIAL	UNIT	SCALE	SIZE	SHEET	DRAWN	XUELING W	DATE	2025.06.03
	LSZH	m	/	A4	1	CHECKED	Michael Liu	DATE	2025.06.03
						APPROVED	STEVEN Zhang	DATE	2025.06.03

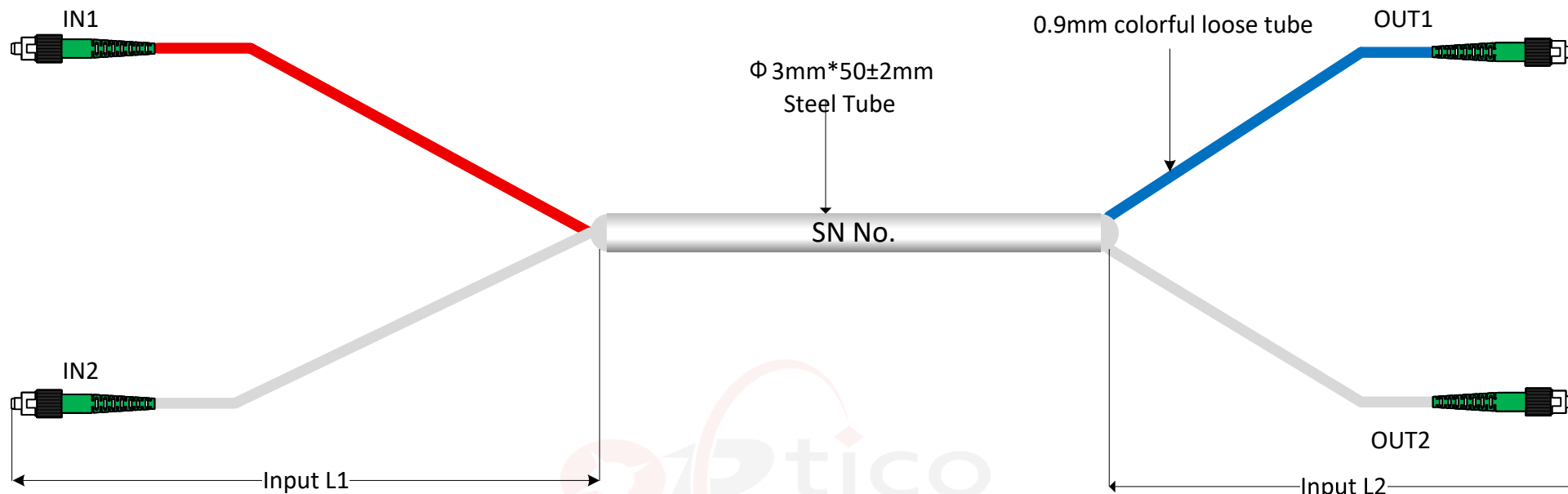


Parameter		PM 635 2X2 FBT Coupler			
Ratio		50:50	25:75	90:10	99:1
Operating Wavelength		635±15nm			
Insertion loss(dB)	Max	3.9 / 3.9	2.0 / 7.0	1.1 / 11.3	0.7 / 24.6
Extinction Ratio(dB)	Min	18.0 / 18.0	18.0 / 18.0	18.0 / 18.0	16.0 / 16.0
Return loss(dB)	Min	60			
Excess loss(dB)	Max	0.5			
Work Temperature		-40~+85°C			
Storage Temperature					
Max Power		50mW(With connectors or bare fiber); 100mW when spliced			
Dimension		Φ 3mm*50/54/60mm			
Connector		2.0 Narrow Key FCAPC/As request			
Fiber Type		Coherent PM-460-HP			
Mode Field Diameter		3.3±0.5um@515nm 4.6±0.5um@630um			
Numerical Aperture		0.12			

Note: Values above are specified with a slow axis launch at room temperature and measured without connectors at the center wavelength. PER including connectors.




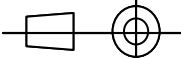
		SHENZHEN OPTICO COMMUNICATION CO., LTD.							
Model	PM635nm 2X2 FBT Coupler 0.9mm FCAPC					OP-PM635-202FBT-0.9-xxx			
FIRST ANGLE PROJECTION 	MATERIAL	UNIT	SCALE	SIZE	SHEET	DRAWN	XUELING W	DATE	2025.06.03
	LSZH	m	/	A4	1	CHECKED	Michael Liu	DATE	2025.06.03
						APPROVED	STEVEN Zhang	DATE	2025.06.03

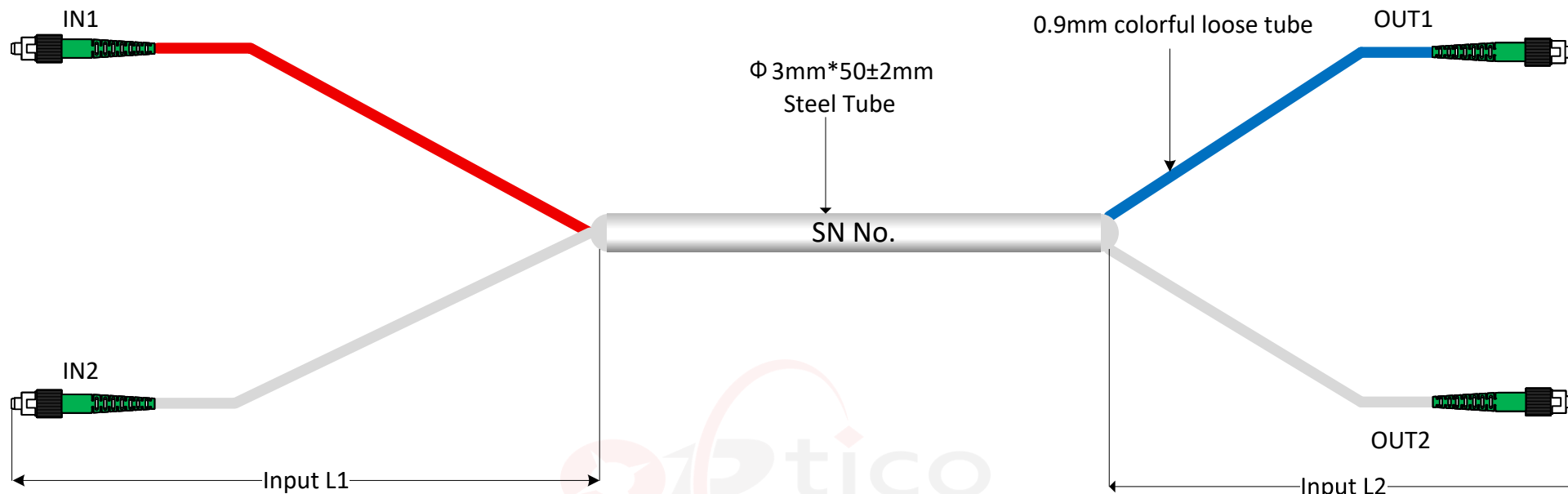


Parameter		PM 670 2X2 FBT Coupler			
Ratio		50:50	25:75	90:10	99:1
Operating Wavelength		670±15nm			
Insertion loss(dB)	Max	3.9 /3.9	2.0/7.0	1.1/11.3	0.7/24.6
Extinction Ratio(dB)	Min	18.0/18.0	18.0/18.0	18.0/18.0	16.0/16.0
Return loss(dB)	Min	60			
Excess loss(dB)	Max	0.5			
Work Temperature		-40~+85°C			
Storage Temperature					
Max Power		50mW(With connectors or bare fiber); 100mW when spliced			
Dimension		Φ 3mm*50/54/60mm			
Connector		2.0 Narrow Key FCAPC/As request			
Fiber Type		Coherent PM460-HP			
Mode Field Diameter		3.3±0.5um@515nm 4.5±0.5um@670um			
Numerical Aperture		0.12			

Note: Values above are specified with a slow axis launch at room temperature and measured without connectors at the center wavelength. PER including connectors.




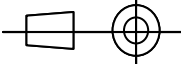
		SHENZHEN OPTICO COMMUNICATION CO., LTD.							
Model	PM670nm 2X2 FBT Coupler 0.9mm FCAPC						OP-PM670-202FBT-0.9-xxx		
FIRST ANGLE PROJECTION 	MATERIAL	UNIT	SCALE	SIZE	SHEET	DRAWN	XUELING W	DATE	2025.06.03
	LSZH	m	/	A4	1	CHECKED	Michael Liu	DATE	2025.06.03
						APPROVED	STEVEN Zhang	DATE	2025.06.03

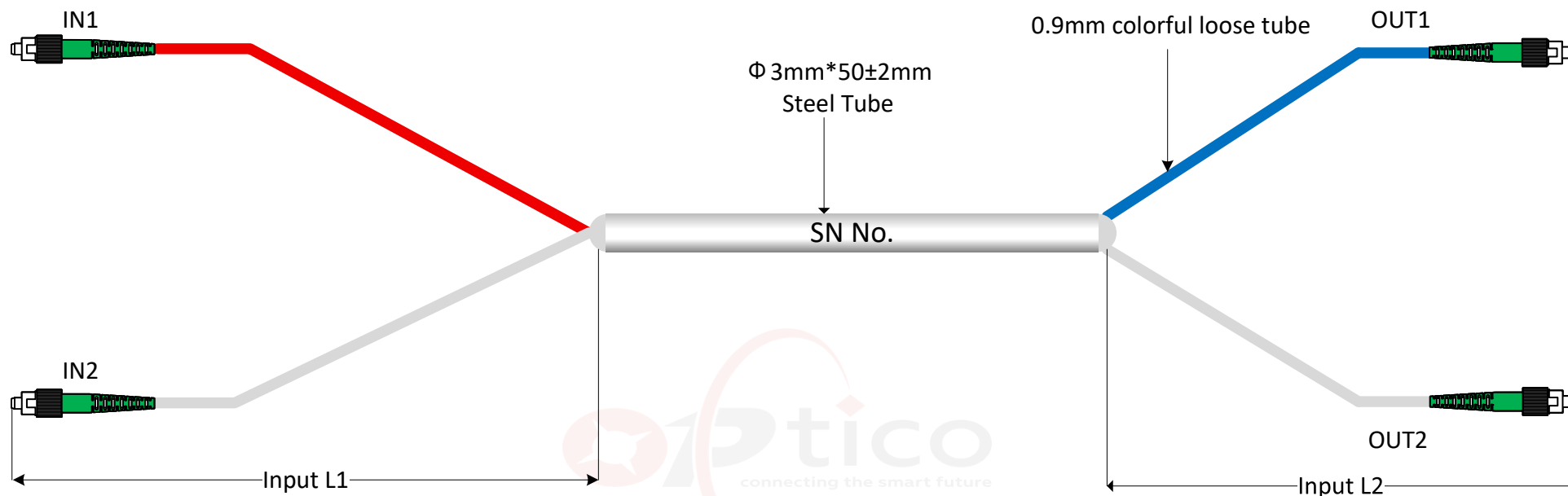


Parameter		PM 780 2X2 FBT Coupler			
Ratio		50:50	25:75	90:10	99:1
Operating Wavelength		780±15nm			
Insertion loss(dB)	Max	3.9 / 3.9	2.0 / 7.0	1.1 / 11.1	0.7 / 24.6
Extinction Ratio(dB)	Min	18.0 / 18.0	18.0 / 18.0	18.0 / 18.0	16.0 / 16.0
Return loss(dB)	Min	60			
Excess loss(dB)	Max	0.5			
Work Temperature		-40~+85°C			
Storage Temperature					
Max Power		50mW(With connectors or bare fiber); 100mW when spliced			
Dimension		Φ 3mm*50/54/60mm			
Connector		2.0 Narrow Key FCAPC/As request			
Fiber Type		Coherent PM630-HP			
Mode Field Diameter		4.5±0.5um@630nm 4.6±0.5um@780um			
Numerical Aperture		0.12			

Note: Values above are specified with a slow axis launch at room temperature and measured without connectors at the center wavelength. PER including connectors.




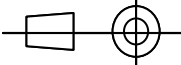
		SHENZHEN OPTICO COMMUNICATION CO., LTD.							
Model		PM780nm 2X2 FBT Coupler 0.9mm FCAPC					OP-PM780-202FBT-0.9-xxx		
FIRST ANGLE PROJECTION 	MATERIAL	UNIT	SCALE	SIZE	SHEET	DRAWN	XUELING W	DATE	2025.06.03
	LSZH	m	/	A4	1	CHECKED	Michael Liu	DATE	2025.06.03
						APPROVED	STEVEN Zhang	DATE	2025.06.03

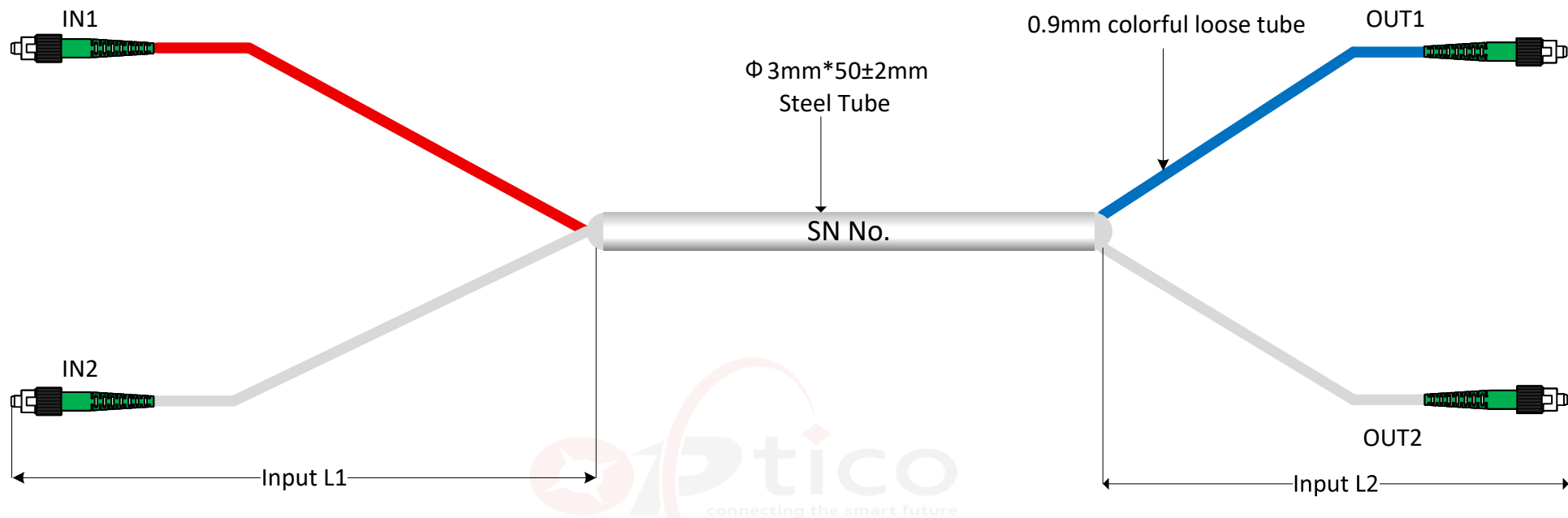


Parameter		PM 850 2X2 FBT Coupler			
Ratio		50:50	25:75	90:10	99:1
Operating Wavelength		850±15nm			
Insertion loss(dB)	Max	3.9 / 3.9	2.0 / 7.0	1.1 / 11.1	0.7 / 24.6
Extinction Ratio(dB)	Min	18.0 / 18.0	18.0 / 18.0	18.0 / 18.0	16.0 / 16.0
Return loss(dB)	Min	60			
Excess loss(dB)	Max	0.5			
Work Temperature		-40~+85°C			
Storage Temperature					
Max Power		50mW(With connectors or bare fiber); 100mW when spliced			
Dimension		Φ 3mm*50/54/60mm			
Connector		2.0 Narrow Key FCAPC/As request			
Fiber Type		Coherent PM780-HP			
Mode Field Diameter		5.3±1.0um@850nm			
Numerical Aperture		0.12			

Note: Values above are specified with a slow axis launch at room temperature and measured without connectors at the center wavelength. PER including connectors.



		SHENZHEN OPTICO COMMUNICATION CO., LTD.							
Model	PM850nm 2X2 FBT Coupler 0.9mm FCAPC						OP-PM850-202FBT-0.9-xxx		
FIRST ANGLE PROJECTION 	MATERIAL	UNIT	SCALE	SIZE	SHEET	DRAWN	XUELING W	DATE	2025.06.03
	LSZH	m	/	A4	1	CHECKED	Michael Liu	DATE	2025.06.03
						APPROVED	STEVEN Zhang	DATE	2025.06.03

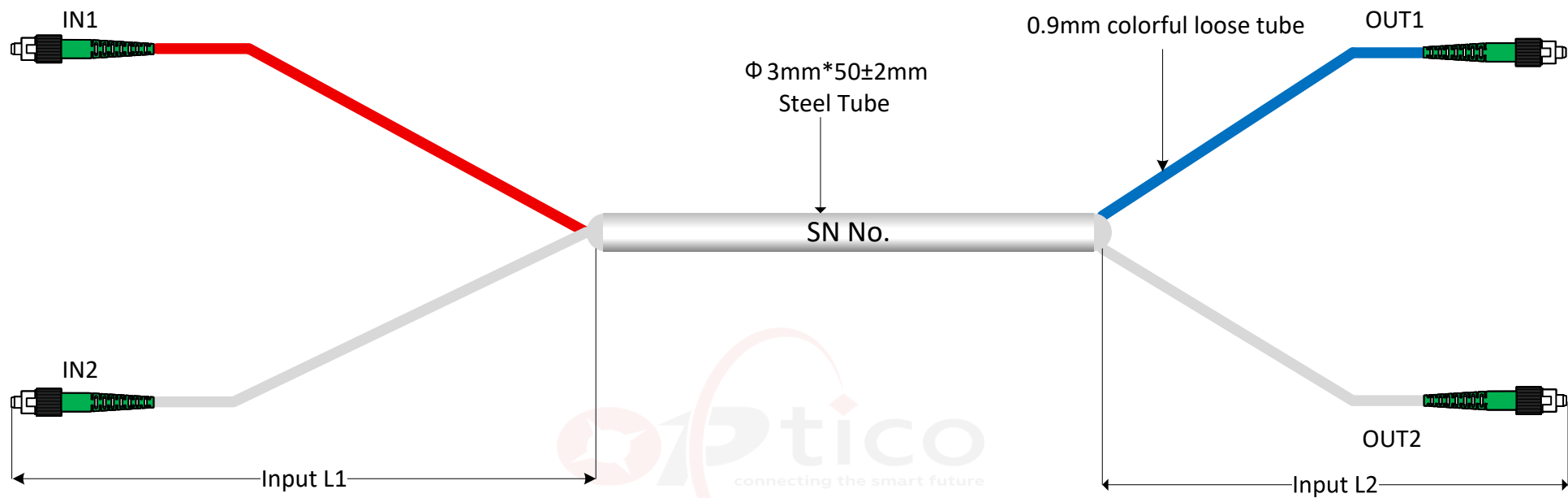


Parameter		PM 980 2X2 FBT Coupler			
Ratio		50:50	25:75	90:10	99:1
Operating Wavelength		980±15nm			
Insertion loss(dB)	Max	3.6 /3.6	1.7/6.7	0.9/10.9	0.5/24.4
Extinction Ratio(dB)	Min	20.0/20.0	20.0/20.0	20.0/20.0	20.0/16.0
Return loss(dB)	Min	60			
Excess loss(dB)	Max	0.3			
Work Temperature		-40~+85°C			
Storage Temperature					
Max Power		1W(With connectors or bare fiber); 5W when spliced			
Dimension		Φ 3mm*50/54/60mm			
Connector		2.0 Narrow Key FCAPC/As request			
Fiber Type		Coherent PM780-HP			

Note: Values above are specified with a slow axis launch at room temperature and measured without connectors at the center wavelength. PER including connectors.




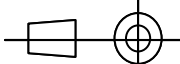
		SHENZHEN OPTICO COMMUNICATION CO., LTD.							
Model		PM980nm 2X2 FBT Coupler 0.9mm FCAPC					OP-PM980-202FBT-0.9-xxx		
FIRST ANGLE PROJECTION 	MATERIAL	UNIT	SCALE	SIZE	SHEET	DRAWN	XUELING W	DATE	2025.06.03
	LSZH	m	/	A4	1	CHECKED	Michael Liu	DATE	2025.06.03
						APPROVED	STEVEN Zhang	DATE	2025.06.03

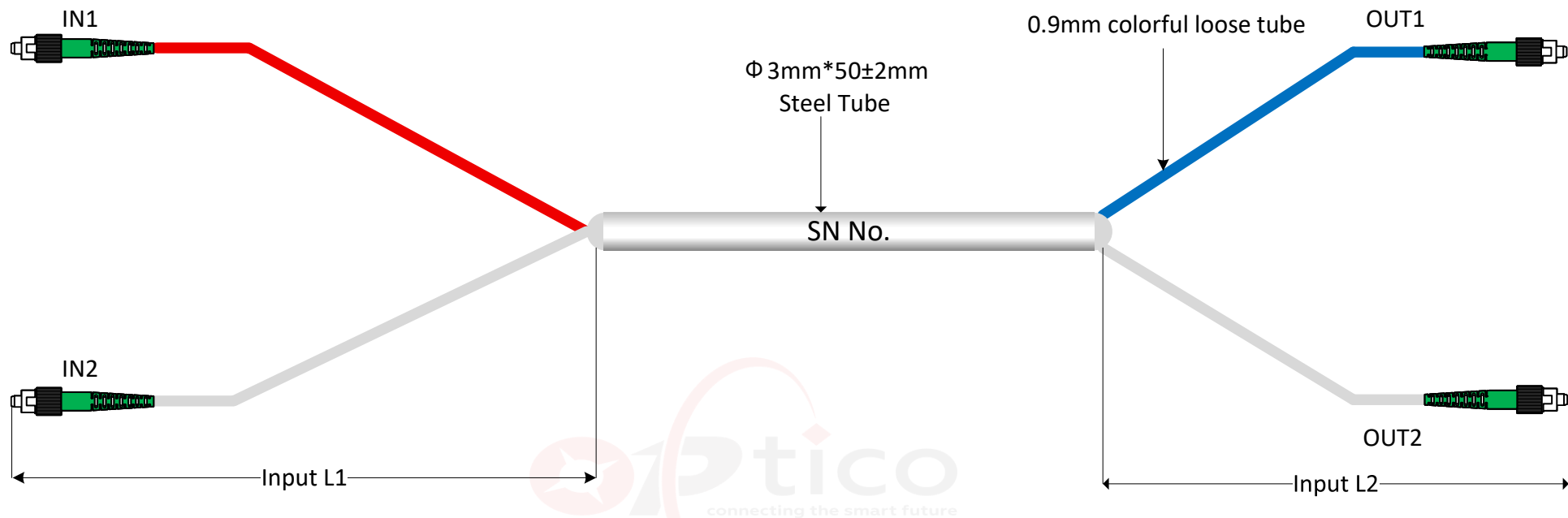


Parameter		PM 1064 2X2 FBT Coupler			
Ratio		50:50	25:75	90:10	99:1
Operating Wavelength		1064±15nm			
Insertion loss(dB)	Max	3.6 /3.6	1.7/6.7	0.9/10.9	0.5/24.4
Extinction Ratio(dB)	Min	20.0/20.0	18.0/18.0	20.0/20.0	20.0/16.0
Return loss(dB)	Min	60			
Excess loss(dB)	Max	0.3			
Work Temperature		-40~+85°C			
Storage Temperature					
Max Power		1W(With connectors or bare fiber); 5W when spliced			
Dimension		Φ 3mm*50/54/60mm			
Connector		2.0 Narrow Key FCAPC/As request			
Fiber Type		Coherent PM980-HP			

Note: Values above are specified with a slow axis launch at room temperature and measured without connectors at the center wavelength. PER including connectors.



		SHENZHEN OPTICO COMMUNICATION CO., LTD.							
Model	PM1064nm 2X2 FBT Coupler 0.9mm FCAPC						OP-PM1064-202FBT-0.9-xxx		
FIRST ANGLE PROJECTION 	MATERIAL	UNIT	SCALE	SIZE	SHEET	DRAWN	XUELING W	DATE	2025.06.03
	LSZH	m	/	A4	1	CHECKED	Michael Liu	DATE	2025.06.03
						APPROVED	STEVEN Zhang	DATE	2025.06.03



Parameter		PM 1310 2X2 FBT Coupler			
Ratio		50:50	25:75	90:10	99:1
Operating Wavelength		1310±15nm			
Insertion loss(dB)	Max	3.5 /3.5	1.7/6.6	0.9/10.9	0.5/24.4
Extinction Ratio(dB)	Min	25.0/25.0	25.0/25.0	25.0/25.0	25.0/25.0
Return loss(dB)	Min	60			
Excess loss(dB)	Max	0.3			
Work Temperature		-40~+85°C			
Storage Temperature					
Max Power		1W(With connectors or bare fiber); 5W when spliced			
Dimension		Φ 3mm*50/54/60mm			
Connector		2.0 Narrow Key FCAPC/As request			
Fiber Type		Coherent PM1300-XP			

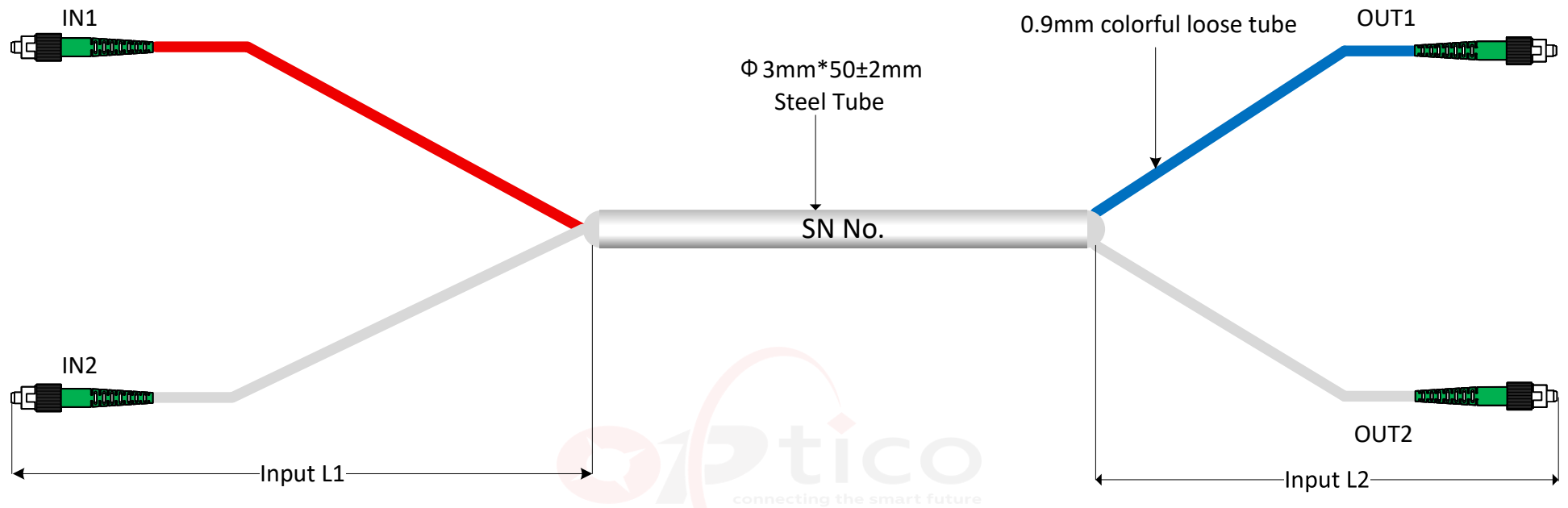
Note: Values above are specified with a slow axis launch at room temperature and measured without connectors at the center wavelength. PER including connectors.



Model		PM1300nm 2X2 FBT Coupler 0.9mm FCAPC					OP-PM1310-202FBT-0.9-xxx			
FIRST ANGLE PROJECTION 	MATERIAL	UNIT	SCALE	SIZE	SHEET	DRAWN	XUELING W	DATE	2025.06.03	
	LSZH	m	/	A4	1	CHECKED	Michael Liu	DATE	2025.06.03	
						APPROVED	STEVEN Zhang	DATE	2025.06.03	



SHENZHEN OPTICO COMMUNICATION CO., LTD.

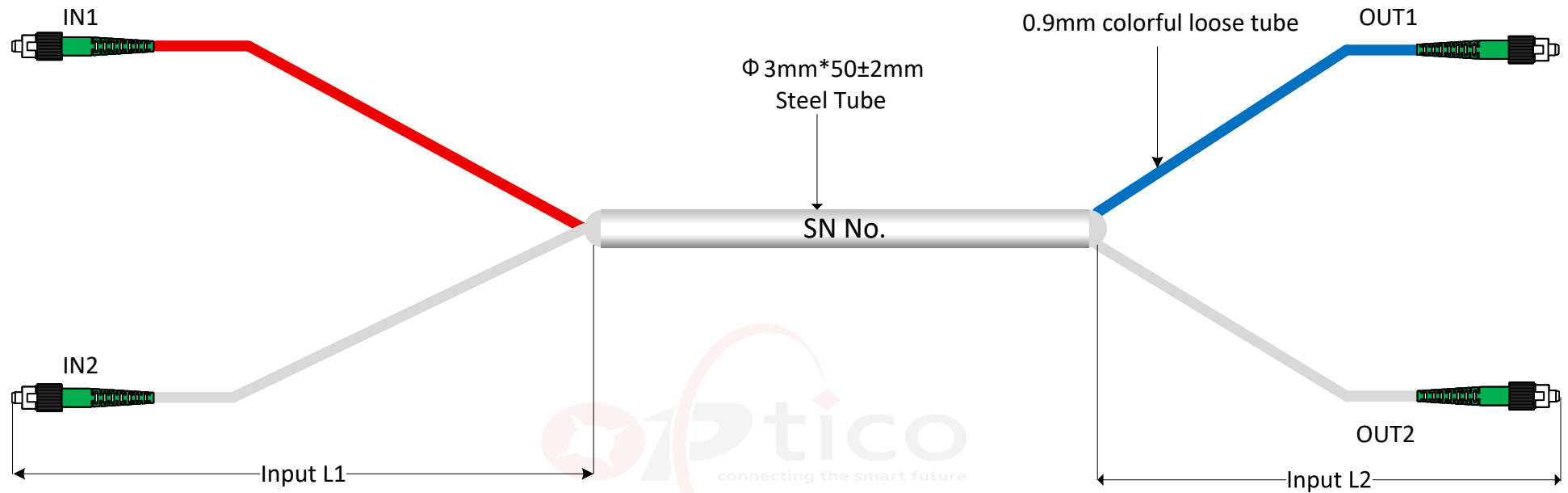


Parameter		PM 1550 2X2 FBT Coupler			
Ratio		50:50	25:75	90:10	99:1
Operating Wavelength		1550±15nm			
Insertion loss(dB)	Max	3.5 /3.5	1.7/6.6	0.9/10.9	0.5/24.4
Extinction Ratio(dB)	Min	25.0/25.0	25.0/25.0	25.0/25.0	20.0/20.0
Return loss(dB)	Min	60			
Excess loss(dB)	Max	0.3			
Work Temperature		-40~+85°C			
Storage Temperature					
Max Power		1W(With connectors or bare fiber); 5W when spliced			
Dimension		Φ 3mm*50/54/60mm			
Connector		2.0 Narrow Key FCAPC/As request			
Fiber Type		Coherent PM1300-XP			

Note: Values above are specified with a slow axis launch at room temperature and measured without connectors at the center wavelength. PER including connectors.




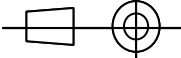
Model		PM1550nm 2X2 FBT Coupler 0.9mm FCAPC					OP-PM1550-202FBT-0.9-xxx			
FIRST ANGLE PROJECTION 	MATERIAL	UNIT	SCALE	SIZE	SHEET	DRAWN	XUELING W	DATE	2025.06.03	
	LSZH	m	/	A4	1	CHECKED	Michael Liu	DATE	2025.06.03	
						APPROVED	STEVEN Zhang	DATE	2025.06.03	



Parameter		PM 2000 2X2 FBT Coupler			
Ratio		50:50	25:75	90:10	99:1
Operating Wavelength		2000±15nm(1550±65nm is optional)			
Insertion loss(dB)	Max	3.4 /3.4	1.6/6.5	0.8/10.8	0.4/23.3
Extinction Ratio(dB)	Min	20.0/20.0	20.0/18.0	20.0/17.0	20.0/11.0
Return loss(dB)	Min	60			
Excess loss(dB)	Max	0.3			
Work Temperature		-40~+85°C			
Storage Temperature					
Max Power		1W(With connectors or bare fiber); 5W when spliced			
Dimension		Φ 3mm*50/54/60mm			
Connector		2.0 Narrow Key FCAPC/As request			
Mode Field Diameter		8.0um@1950nm			
Fiber Type		Coherent PM1950			

Note: Values above are specified with a slow axis launch at room temperature and measured without connectors at the center wavelength. PER including connectors.



		SHENZHEN OPTICO COMMUNICATION CO., LTD.							
Model	PM2000nm 2X2 FBT Coupler 0.9mm FCAPC						OP-PM2000-202FBT-0.9-xxx		
FIRST ANGLE PROJECTION 	MATERIAL	UNIT	SCALE	SIZE	SHEET	DRAWN	XUELING W	DATE	2025.06.03
	LSZH	m	/	A4	1	CHECKED	Michael Liu	DATE	2025.06.03
						APPROVED	STEVEN Zhang	DATE	2025.06.03